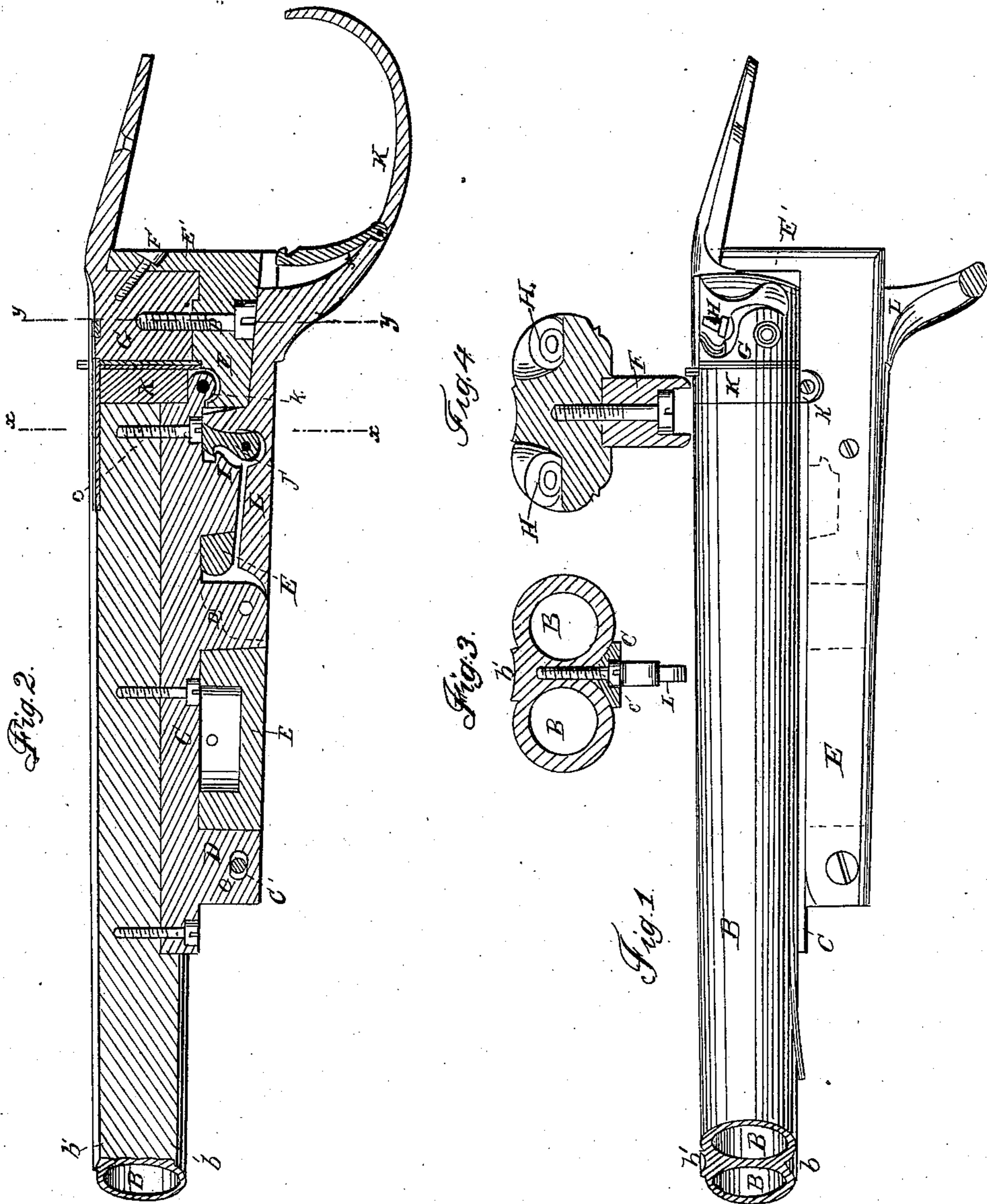


C. E. SNEIDER.
Breech-Loading Fire-Arm.

No. 46,054.

Patented Jan. 24, 1865



Witnesses
C. D. Smith
D. Schmitlin

Inventor:
C. E. Snider
By [Signature]

UNITED STATES PATENT OFFICE.

CHARLES E. SNEIDER, OF BALTIMORE, MARYLAND, ASSIGNOR TO HIMSELF
AND THOMAS POULTNEY, OF SAME PLACE.

IMPROVED METHOD OF CONVERTING MUZZLE INTO BREECH-LOADING FIRE-ARMS.

Specification forming part of Letters Patent No. 46,054, dated January 24, 1865.

To all whom it may concern:

Be it known that I, CHARLES E. SNEIDER, of the city and county of Baltimore, in the State of Maryland, have invented a new and useful Improvement in Fire-Arms; and I do hereby declare the following to be a full and exact description of the same, reference being had to the accompanying drawings, making part of this specification, in which—

Figure 1 is a side view of the breech portion of a double-barreled gun, illustrating my invention. Fig. 2 is a central vertical longitudinal section of the same. Fig. 3 is a transverse section thereof at *x x*. Fig. 4 is a transverse section at *y y*.

Similar letters of reference indicate corresponding parts in the several views.

The object of my said invention is to provide means for the ready conversion of a common muzzle-loading double or single barreled gun to a breech-loader, or for manufacturing breech-loading guns with the gun-barrels in common use.

The following description will enable any one skilled in the art to which my invention appertains to understand its nature and the manner of carrying it into effect.

B B may represent a pair of gun-barrels of common construction, as usually manufactured and supplied to the gunmaker. The angles formed at the junction of these barrels are filled with plates or strips of metal, as shown at *b b'* in Fig. 1.

In carrying out my invention, I remove the lower plate, *b*, from the rear end to a sufficient distance forward to permit the application of a solid bar, C, termed by me the "lug-bar," which may be attached to the barrel by means of screws *c c c*.

D is a lug projecting downward from the forward end of the lug-bar C, and having a slot, *c'*, for the attachment, by means of a screw or other pivot, *e*, of a breech-bar, E, which is designed to be rigidly attached to the stock, and is turned up at its rear end, as shown at E', and employed for the attachment by screws F F' of a breech-pin, G, of common form, which may be provided with nipples H, or may be fitted for use with fixed ammunition in any of the known ways.

D' represents a lug projecting downward

from the central part of the lug-bar C through an aperture in the bar E, and employed for the attachment of the guard-lever K, (shown in Fig. 1,) for which Letters Patent were granted to me August 23, 1863.

I represents a projection upon the lug-bar C near its rear end.

E² represents an abutment on the bar E, fitting the oblique back of the projection I, so that when the parts are closed together, as represented in the drawings, the breech and barrels will be pressed firmly into contact. A suitable catch is employed to secure the bars C and E together in this position, and thus to hold the barrels in rigid connection with the stock when the piece is to be fired. This catch may consist of a rigid projection upon the breech-bar E, the parts being secured or released by the longitudinal motion permitted by the slot *c'*, or a pivoted hook, J, may be applied to the breech-bar E, as shown in Fig. 2, the said hook being held up by a projection upon the guard-lever or by any other suitable means.

Operation: In using this gun, the weight of the forward end of the barrel serves to throw up the rear end, and thus open it for the reception of the charge directly the catch is disengaged, by any means employed for that purpose. The barrel being then restored to its original position, the piece is ready for firing.

If the gun be intended for use with fixed ammunition, the rear end of the barrels may be open; otherwise a falling chamber or breech-piece, K, may be employed, pivoted at *k* to the lug-bar C.

In single-barrel bird-guns or muskets or other fire-arms in which no rib is used, the lug-bar may be fitted to the bottom of the barrel and fastened by screws in substantially the same way.

Having thus described my invention, the following is what I claim as new therein and desire to secure by Letters Patent:

1. The lug-bar C, attached to the barrel by screws *c c c*, and provided with projections D D', for the pivoting of the bar E and lever L to the barrel, in the manner and for the purposes set forth.

2. The pivoted bar E, constructed and employed, as described, for the attachment of the

breech G of a double or single barreled gun, for converting the same to a breech-loader, the said bar being provided with a projection, E', at its rear end, and an abutment, E², fitting the inclined back of the projection I on the lug-bar C, so as to constitute, in combination with the said lug-bar, a rigid connection be-

tween the breech and barrel while in position for firing, as explained.

C. E. SNEIDER.

Witnesses:

JAS. B. LATIMER,
D. B. TRIMBLE.